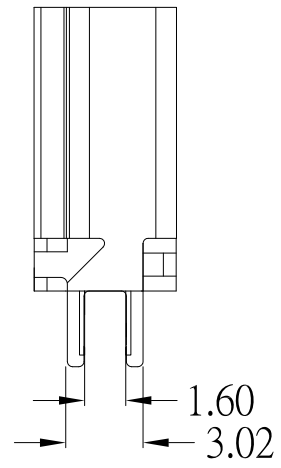
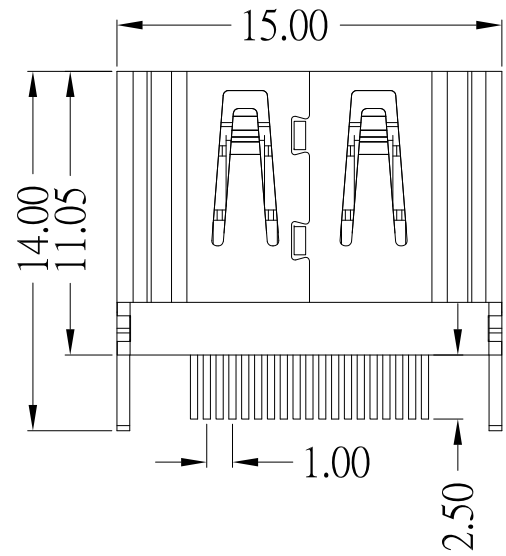


### RECOMMENDED PCB LAYOUT



HDMI-19P-V2x-S277

SHELL MATERIAL:

X	BRASS
I	SPCC

**NOTE:**

- 1.MATERIAL:
  - 1.1 HOUSING: LCP,Black
  - 1.2 CONTACT: BRASS
  - 1.3 SHELL: BRASS / SPCC
- 2.PLATING :
  - 2.1 CONTACT: PLATED GOLD IN MATING AREA ;  
TIN PLATED ON SOLDER BALLS ;  
NICKEL UNDER PLATED OVERALL
  - 2.2 SHELL: NICKEL UNDER PLATED SURFACE LAYER
- 3.ELECTRICAL:
  - 3.1 RATING CURRENT: 0.5A
  - 3.2 CONTACT RESISTANCE: 30 mΩ Max
  - 3.3 INSULATION RESISTANCE: 100MΩ Min
  - 3.4 DIELECTRIC WITHSTANDING: 300V AC
  - 3.5 OPERATING TEMPERATURE: -20°C~ 85°C
- 4.MECHANICAL:
  - 4.1 INSERTION FORCE: 44.1 N Max
  - 4.2 EXTROCTION FORCE: 9.8 N Min

**CONTACT** 建倚科技股份有限公司  
CONTACT TECHNOLOGY CORP.

TOLERANCE UNLESS OTHERWISE STATED  
 Up to 5 ±0.2  
 Above 5 ~ 15 ±0.3  
 Above 15 ~ 30 ±0.4  
 Above 30 ~ 50 ±0.5  
 Angle ±0.3°

3RD. ANGEL'S



UNITS MM

DRAWN BY:	DATE	MAT'L	TITLE	CONNECTOR
Jack Lu	09/12/23		MODLE	HDMI A TYPE 母座夾板式
CHECKED BY:	DATE	FINISH	SCALE	1 : 1
Jacky Chen	09/12/23		DWG NO.	HDMI-19P-V2x-S277
APPROVED BY:	DATE	SHEET NO.	PART NO.	HDMI-19P-V2x-S277
Tony Kao	09/12/23	1 of 1		
			SIZE	A4
			VER	R3

2	新增PCB LAYOUT尺寸	Jack	091223
1	更新料號和圖面	Jack	071723
ITEM NO.	DESCRIPTION	DRAWN	DATE